

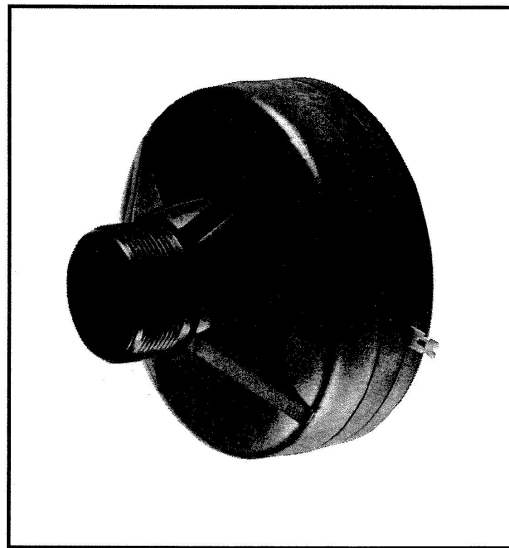


Piezo Ceramic Speakers

POWERLINE Series

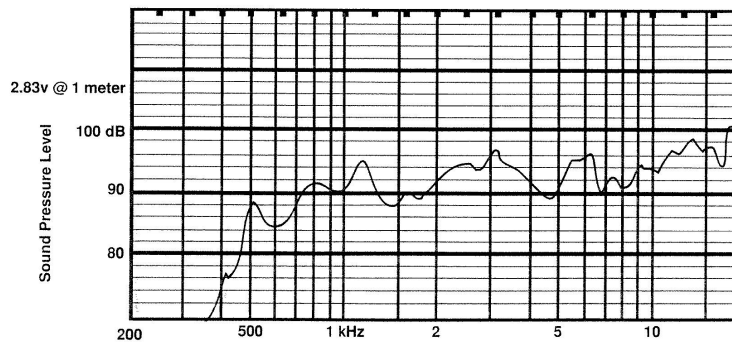
Mid Range Horn Driver Model KSN1188A

The KSN1188A Driver is designed to provide mid-range and high frequency response along with high power handling. Featuring a standard 1 3/8"-18 UNEF2A thread coupling, it can be easily used with most standard horns. The driver is well suited for pro-sound and other sound reinforcement applications. The 100 watt driver incorporates protective circuitry which allows it to be used safely at continuous power levels of 400 watts.



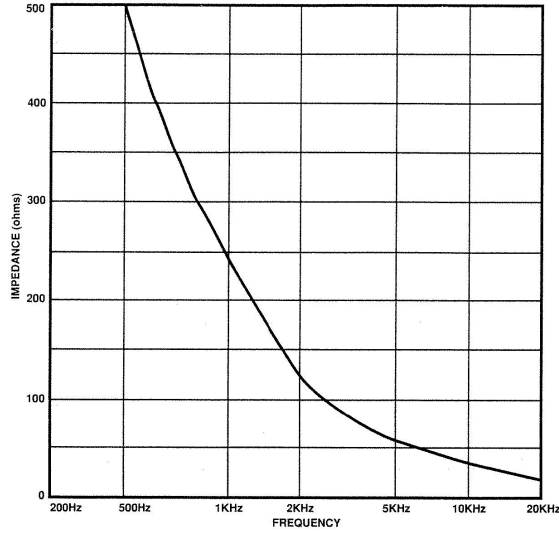
Typical Frequency Response
(With EV8HD Horn)

KSN1188A



Model KSN 1188A Mid-Range Horn Driver

Nominal Impedance



Frequency Response: 0.8 kHz to 20 kHz

Average Sensitivity: 93 dB @ 1m/2.83v

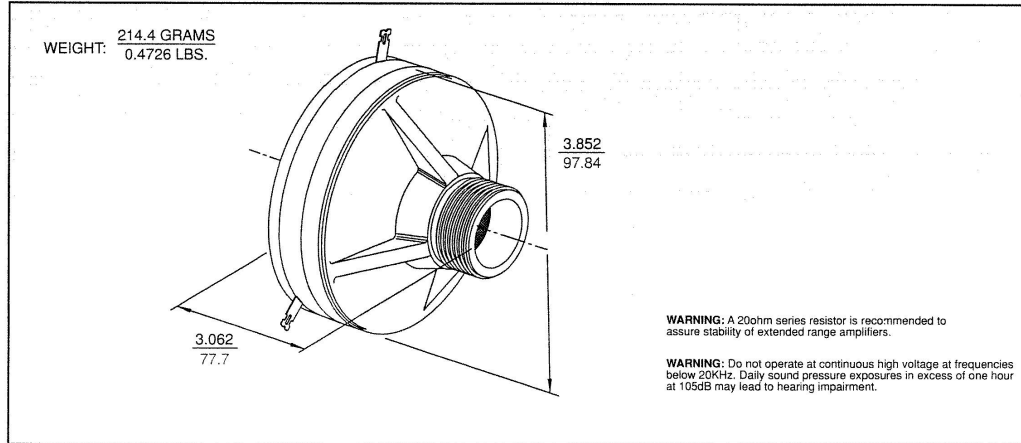
Maximum Power Handling Capacity: 100W (EIA RS426)
(8Ω system reference)

Protected to: 400 Watts

Maximum Storage Temperature: 80°C

Typical Impedance: Appears as a .8μF Capacitor

Dimensions: KSN1188A



All dimensions are $\frac{\text{inches}}{\text{millimeters}}$

Devices described herein are manufactured under one or more of the following U.S. patents: 3,548,116; 3,786,202; 3,852,529; 3,629,625; 3,676,722; 4,078,160 and other patents granted or pending.

Motorola reserves the right to make changes without further notice to any products herein to improve reliability, function or design. Motorola does not assume any liability arising out of the application or use of any product or circuit described herein; neither does it convey any license under its patent rights nor the rights of others. Motorola Inc. is an Equal Employment Opportunity/Affirmative Action Employer.

Piezo Source
 250 Gish Road
 San Jose, Ca 95112
 408-487-1700 Fax : 408-487-1707
 E-mail: Sales@piezosource.com
 Web : www.piezosource.com



without notice

A. (93-11)