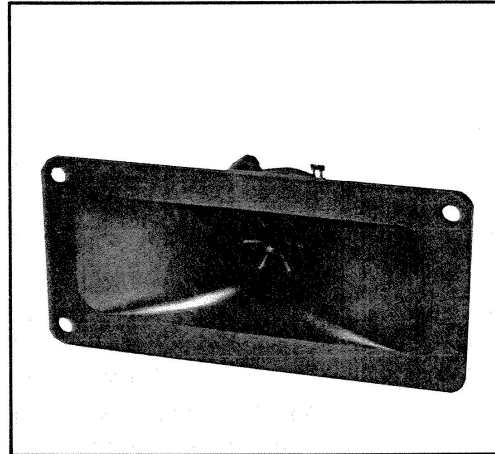




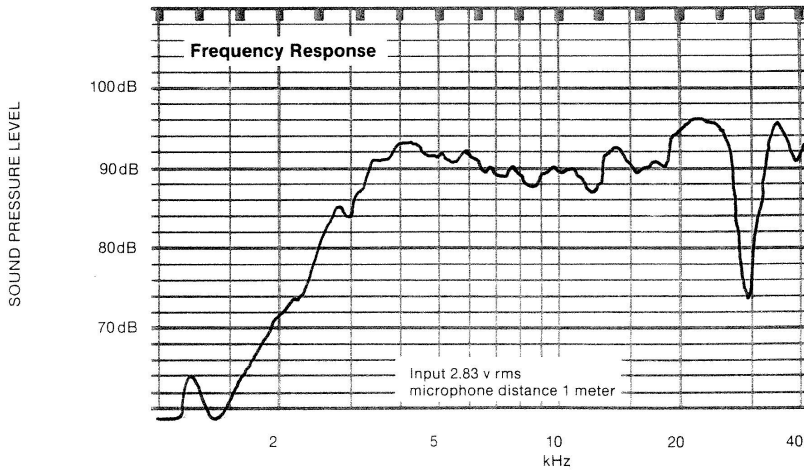
# Ceramic Speakers

2 x 5 Wide Dispersion Horn

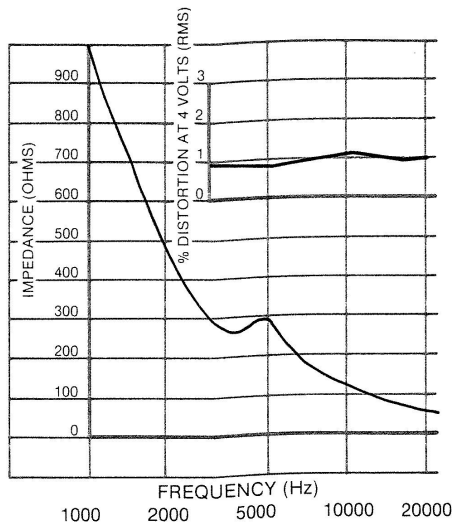
Model KSN1016A



The model KSN1019A 2 x 5 inch horn has a full 90° included angle horizontal dispersion with light weight and excellent sensitivity (91 dB @ 1M/1W) making the KSN1016A well suited for high quality sound systems.



**Impedance, and Distortion Ratings**



**KSN 1016A**

**Frequency Response:** 3KHz to 40 KHz

**Average Sensitivity:** 91 dB at 1m/1W

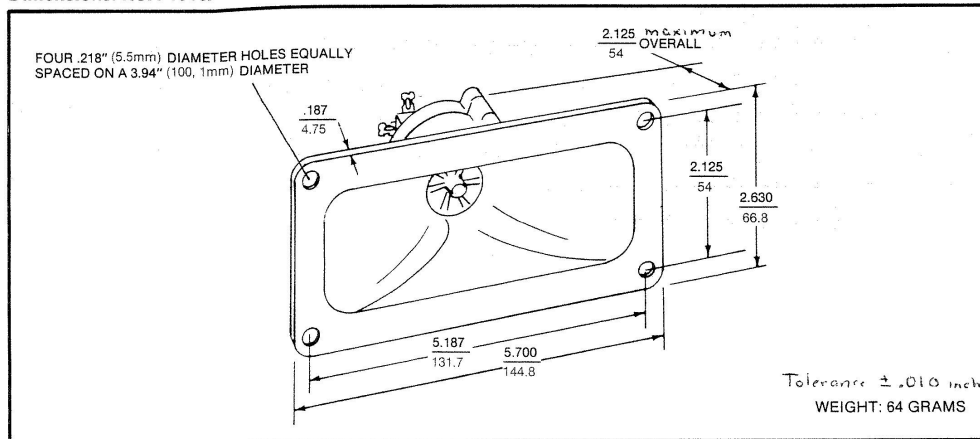
**Maximum Power Handling Capacity:** 75 W (EIA RS426)  
( 8 Ω system reference)

**Maximum Voltage:** 15 v rms continuous  
35 v rms intermittent

**Maximum Temperature:** 80°C

**Typical Impedence:** Appears as a .13 μF capacitor

**Dimensions: KSN 1016A**



All dimensions are  $\frac{\text{inches}}{\text{millimeters}}$

Warning. Do not operate at continuous high voltage; at frequencies below 20 kHz, daily sound pressure exposures in excess of one hour at 105 dB may lead to hearing impairment.

Warning: A 30 ohm series resistor is recommended to assure stability of extended range amplifiers and preclude hazard of burn-out.

Devices described herein are manufactured under one or more of the following U.S. patents: 3,548,116; 3,786,202; 3,852,529; 3,629,625; 3,676,722; 4,078,160 and other patents granted or pending.

Piezo Source  
250 Gish Road  
San Jose, Ca 95112  
408-487-1700 Fax : 408-487-1707  
E-mail: Sales@piezosource.com  
Web : www.piezosource.com

