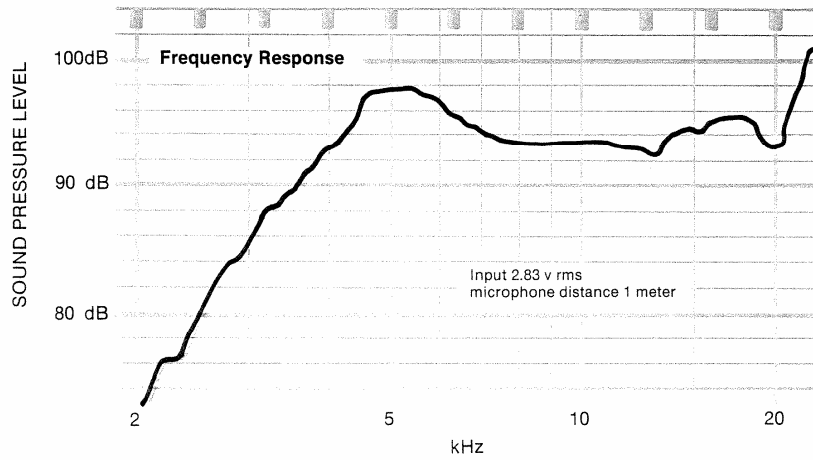
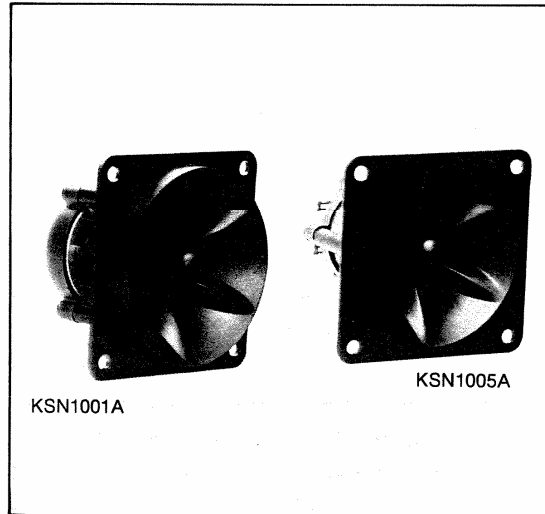


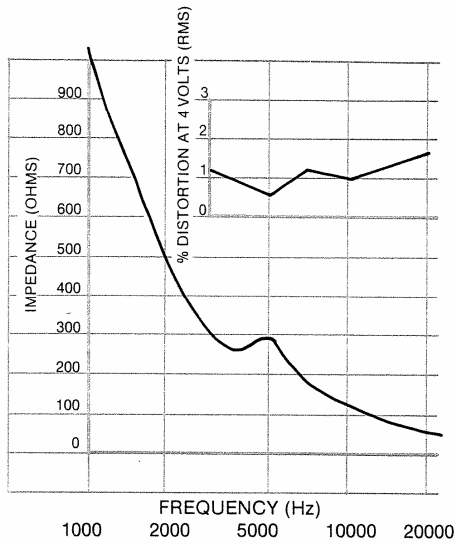


## Piezo Ceramic Speakers

MODELS KSN 1001A, KSN 1005A Super Horn

The original Super Horns, with sound pressure levels of 94 dB @ 1m/1W, set the standard for piezo speakers. A smooth response from 4 kHz to 20 kHz make them ideal for sound reinforcement and high-fidelity applications.

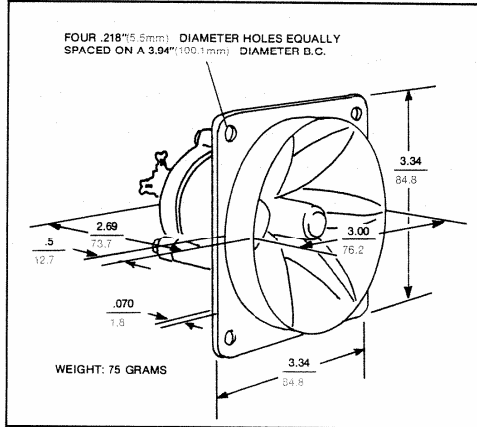




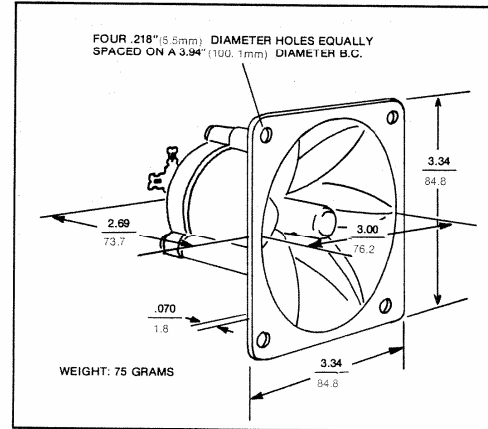
**KSN 1001A, KSN 1005A**

- Frequency Response:** 4KHz to 27KHz
- Average Sensitivity:** 94 dB at 1m/1W
- Maximum Power Handling Capacity:** 75 W (EIA RS426)  
(8 Ω system reference)
- Maximum Voltage:** 15 v rms continuous  
35 v rms intermittent
- Maximum Temperature:** 80°C
- Typical Impedence:** Appears as a .13 μF capacitor

Dimensions: KSN 1001A



Dimension: KSN 1005A,



All dimensions are  $\frac{\text{inches}}{\text{millimeters}}$

Warning: Do not operate at continuous high voltage: at frequencies below 20 kHz, daily sound pressure exposures in excess of one hour at 105 dB may lead to hearing impairment.

Warning: A 30 ohm series resistor is recommended to assure stability of extended range amplifiers and preclude hazard of burn-out.

Devices described herein are manufactured under one or more of the following U.S. patents: 3,786,202; 3,852,529; 3,629,625; 3,676,722; 4,078,160 and other patents granted or pending.

Motorola reserves the right to make changes without further notice to any products herein to improve reliability, function or design. Motorola does not assume any liability arising out of the application or use of any product or circuit described herein, neither does it convey any license under its patent rights nor the rights of others. Motorola Inc. is an Equal Employment Opportunity/Affirmative Action Employer.

**Components**

Motorola Ceram  
4800 Alameda B  
Albuquerque, N  
(505) 822-8801

**Piezo Source**  
250 Gish Road  
San Jose, Ca 95112  
408-487-1700 Fax : 408-487-1707  
E-mail: [usea@usea.com](mailto:usea@usea.com)  
Web : [www.piezosource.com](http://www.piezosource.com)



change  
rola are  
nc. Copy-  
. All rights  
(8801)