

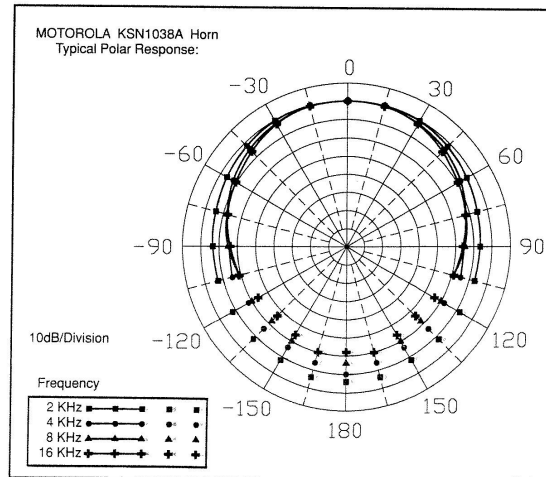
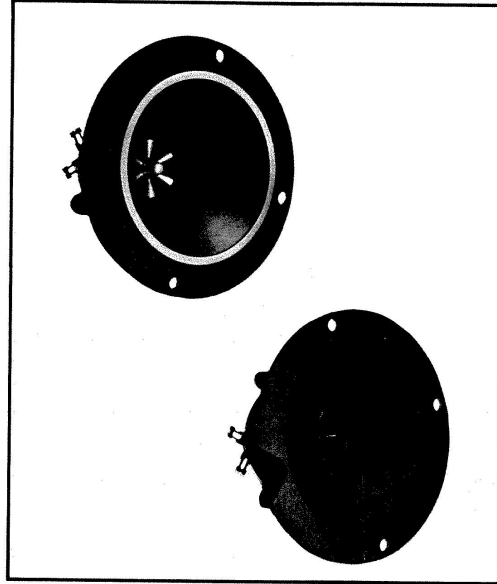
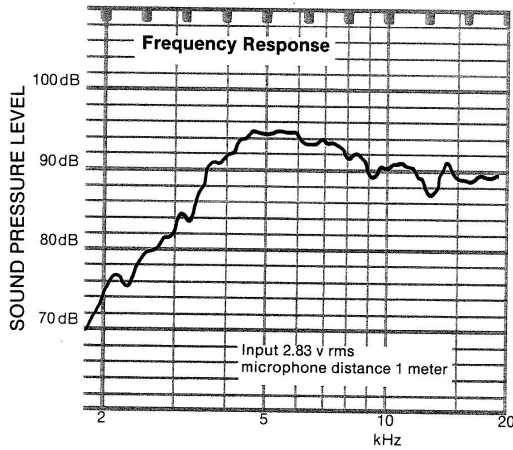


Piezo Ceramic Speakers

3.75 Inch Exponential Horn Tweeter

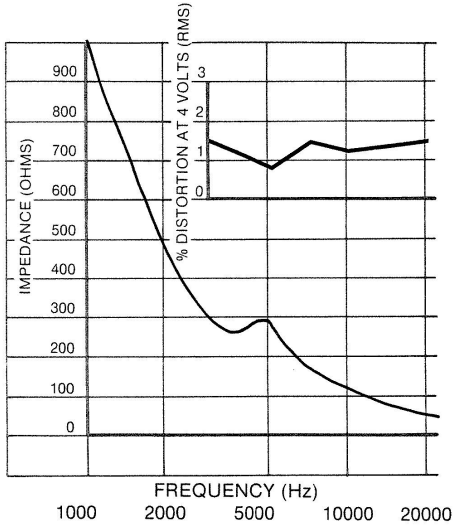
Models KSN 1038A and KSN 1056A

The 3.75 inch exponential horn tweeter combines high output (90 dB @ 1m/1W and 100W handling capability) with excellent dispersion characteristics. These horns are available with a silver throat and ring (KSN1038) and an all black model (KSN1056A).



Piezo Ceramic Speakers
Models KSN 1038A (Silver Throat)
KSN 1056A (All Black)
3.75 Inch Exponential Horn Tweeters

Impedance, and Distortion Ratings

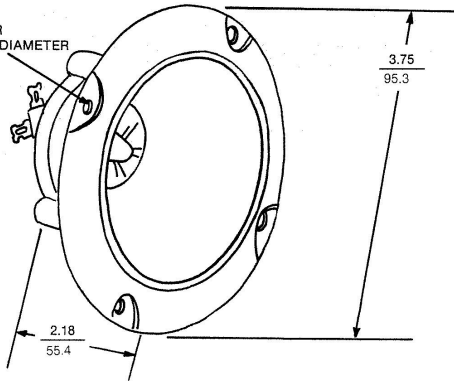


KSN 1038A and KSN 1056A

- Frequency Response:** 4KHz to 27KHz
- Average Sensitivity:** 90 dB at 1m/1W
- Maximum Power Handling Capacity:** 100 W (EIA RS426) (8Ω system reference)
- Maximum Voltage:** 15 v rms continuous
35 v rms intermittent
- Maximum Temperature:** 80°C
- Typical Impedance:** Appears as a .13 μF capacitor

Dimensions

FOUR HOLES .187"(4.75mm) DIAMETER
 EQUALLY SPACED ON 3.375"(85.7mm) DIAMETER



WEIGHT: 59 GRAMS

All dimesions are _____ inches
 millimeters

Warning: Do not operate at continuous high voltage; at frequencies below 20 kHz, daily sound pressure exposures in excess of one hour at 105 dB may lead to hearing impairment.

Warning: A 30 ohm series resistor is recommended to assure stability of extended range amplifiers and preclude hazard of burn-out.

Devices described herein are manufactured under one or more of the following U.S. patents: 3,548,116; 3,786,202; 3,852,529; 3,629,625; 3,676,722; 4,078,160 and other patents granted or pending.

Piezo Source
 250 Gish Road
 San Jose, Ca 95112
 408-487-1700 Fax : 408-487-1707
 E-mail: Sales@piezosource.com
 Web : www.piezosource.com



without
 1995
 printed